

Line Filters

» Pressures to 22,500 psi (1,550 bar)

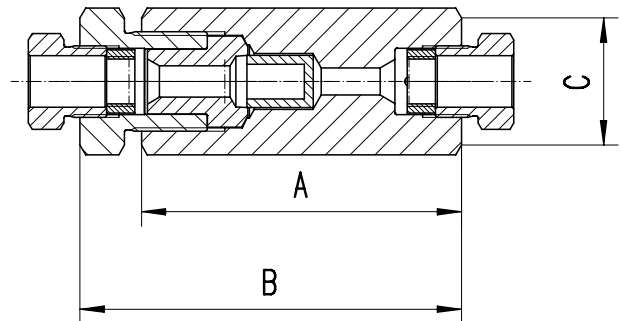
Cup-Type Line Filters

Maximator Cup-Type Line Filters are used when maximum filtration surface area and a single micron size element is preferred. This design increases the filter area as much as 6 times the area of the disc type filter, and will permit higher flow rates with a lower pressure drop, and longer intervals between element changes. Filter elements come standard in 5, 30, or 56 micron sizes and are easily replaced. Filters are rated for temperatures -423°F to 660°F (-252°C to 350°C). All line filters come with glands and collars.

» Materials:

Body, cover, cover gland: 1.4404 (SST 316L)

Element: 1.4404 (SST 316L)



| Catalog Number | Pressure Rating psi (bar) | Orifice in. (mm) | Micron Size | Connection Type | Filter Element Area in. ² (mm) ² | Dimensions in. (mm) | | |
|-----------------------|---------------------------|------------------------|-------------|-----------------|--|-----------------------|------------------------|-----------------------|
| | | | | | | A | B | C (Hex.) |
| Cup-Type Line Filters | | | | | | | | |
| 21CF4M-5 | 22,500 (1,550) | 0.106 (2.7) | 5 | 4MF | 0.82 (530) | 2.38 (60.5) | 2.87 (72.9) | 0.88 (22.3) |
| 21CF4M-30 | | | 30 | | | | | |
| 21CF4M-56 | | | 56 | | | | | |
| 21CF6M-5 | 22,500 (1,550) | 0.201 (5.1) | 5 | 6MF | 0.82 (530) | 2.83 (71.8) | 3.35 (85.1) | 1.06 (27) |
| 21CF6M-30 | | | 30 | | | | | |
| 21CF6M-56 | | | 56 | | | | | |
| 21CF9M-5 | 22,500 (1,550) | 0.307 (7.8) | 5 | 9MF | 1.55 (1,000) | 3.63 (92.2) | 4.33 (110) | 1.44 (36.5) |
| 21CF9M-30 | | | 30 | | | | | |
| 21CF9M-56 | | | 56 | | | | | |
| 21CF12M-5 | 22,500 (1,550) | 0.438 (11.1) | 5 | 12MF | 6.14 (3,960) | 5.75 (146) | 6.57 (166.9) | 2.00 (50.8) |
| 21CF12M-30 | | | 30 | | | | | |
| 21CF12M-56 | | | 56 | | | | | |
| 21CF16M-5 | 22,500 (1,550) | 0.562 (14.3) | 5 | 16MF | 6.14 (3,960) | 5.75 (146) | 6.57 (166.9) | 2.00 (50.8) |
| 21CF16M-30 | | | 30 | | | | | |
| 21CF16M-56 | | | 56 | | | | | |

It is recommended that all fluids entering a high pressure system be thoroughly cleaned.

Maximator filters are designed to remove small amounts of process particles. Pressure differential should not exceed 1000 psi across the filter elements.

All dimensions for reference only and are subject to change.

All technical and dimensional information subject to change. All general Terms and Conditions of sale, including limitations of our liability, apply to all products and services sold.

Angle Filters

» Pressures to 22,500 psi (1,550 bar)

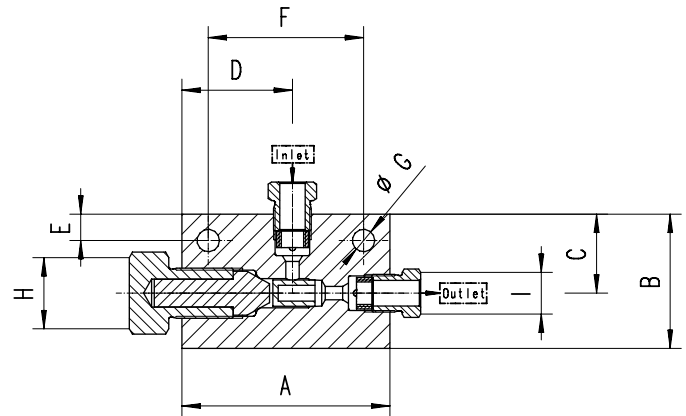
Angle Filters

Maximator Angle Filters are used to filter gases or liquids in high pressure systems. The filter elements can be easily changed in-situ. The special design allows the exchange of the filter element without the need to first disassemble the filter in front of the tubing. Filter elements are made of sintered material with pore sizes of 5 µm, 30 µm or 56 µm. Filters are rated for temperatures -423°F to 660°F (-252°C to 350°C). All angle filters come with glands and collars.

» Materials:

Body, cover, cover gland: 1.4404 (SST 316L)

Element: 1.4404 (SST 316L)



| Catalog Number | Pressure Rating psi (bar) | Orifice in. (mm) | Connection Type | Micron Size | Filter Ele- ment Areas in. ² (mm ²) | Dimensions in. (mm) | | | | | | | | | Block thick- ness |
|----------------|------------------------------|------------------------|--------------------|----------------|--|---------------------|--------------|---------------|--------------|--------------|---------------|---------------|----------------|----------------|-------------------------|
| | | | | | | A | B | C | D | E | F | G | H (Hex.) | I (Hex.) | |
| Angle Filter | | | | | | | | | | | | | | | |
| 21AF4M-5 | 22,500 (1,550) | 0.106 (2.7) | 4M | 5 | 0.82 (530) | 3.11 (79) | 2.01 (51) | 1.18 (30) | 1.65 (42) | 0.39 (10) | 2.32 (59) | 0.34 (8.5) | 1.06 (27) | 0.50 (12.7) | 1.02 (26) |
| 21AF4M-30 | | | | 30 | | | | | | | | | | | |
| 21AF4M-56 | | | | 56 | | | | | | | | | | | |
| 21AF6M-5 | 22,500 (1,550) | 0.201 (5.1) | 6M | 5 | 0.82 (530) | 3.11 (79) | 2.01 (51) | 1.18 (30) | 1.65 (42) | 0.39 (10) | 2.32 (59) | 0.34 (8.5) | 1.06 (27) | 0.50 (12.7) | 1.02 (26) |
| 21AF6M-30 | | | | 30 | | | | | | | | | | | |
| 21AF6M-56 | | | | 56 | | | | | | | | | | | |
| 21AF9M-5 | 22,500 (1,550) | 0.307 (7.8) | 9M | 5 | 1.55 (1,000) | 3.62 (92) | 2.64 (67) | 1.61 (41) | 1.81 (46) | 0.51 (13) | 2.17 (55) | 0.34 (8.5) | 1.19 (30.2) | 0.94 (23.8) | 1.54 (39) |
| 21AF9M-30 | | | | 30 | | | | | | | | | | | |
| 21AF9M-56 | | | | 56 | | | | | | | | | | | |
| 21AF12M-5 | 22,500 (1,550) | 0.438 (11.1) | 12M | 5 | 6.14 (3,960) | 5.71 (145) | 3.54 (90) | 2.3 (57.2) | 2.44 (62) | 0.39 (10) | 4.92 (125) | 0.34 (8.5) | 2.00 (50.8) | 1.19 (30.2) | 2.25 (57.15) |
| 21AF12M-30 | | | | 30 | | | | | | | | | | | |
| 21AF12M-56 | | | | 56 | | | | | | | | | | | |
| 21AF16M-5 | 22,500 (1,550) | 0.562 (14.3) | 16M | 5 | 6.14 (3,960) | 5.71 (145) | 3.54 (90) | 2.3 (57.2) | 2.44 (62) | 0.39 (10) | 4.92 (125) | 0.34 (8.5) | 2.00 (50.8) | 1.38 (34.9) | 2.25 (57.15) |
| 21AF16M-30 | | | | 30 | | | | | | | | | | | |
| 21AF16M-56 | | | | 56 | | | | | | | | | | | |

It is recommended that all fluids entering a high pressure system be thoroughly cleaned.

Maximator filters are designed to remove small amounts of process particles. Pressure differential should not exceed 1000 psi across the filter elements.

All dimensions for reference only and are subject to change.

All technical and dimensional information subject to change. All general Terms and Conditions of sale, including limitations of our liability, apply to all products and services sold.